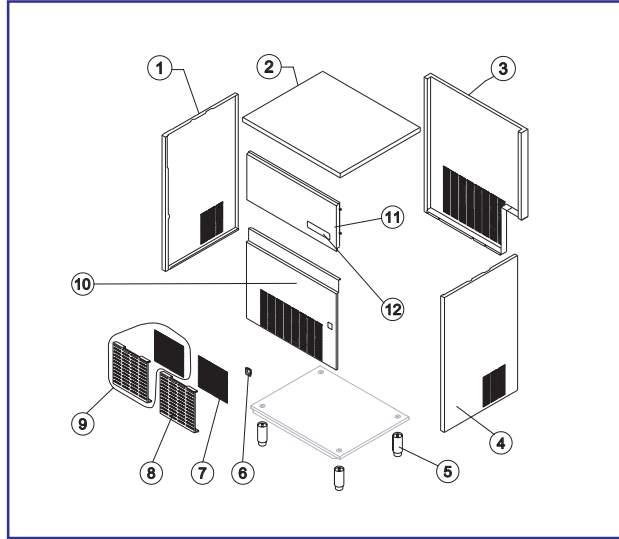


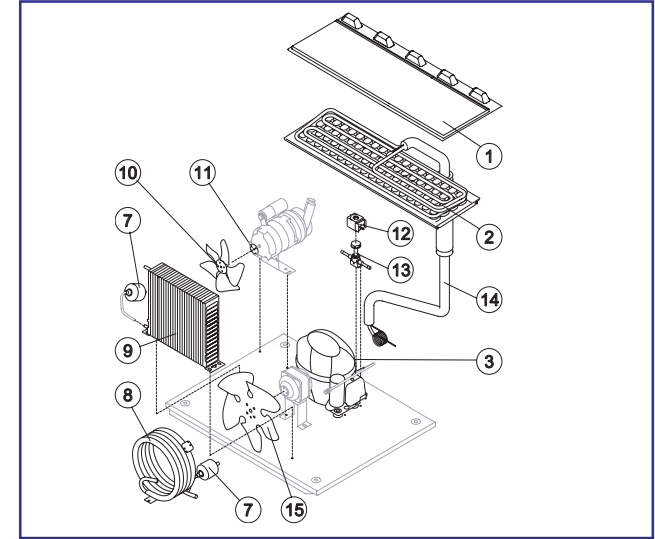
LIST OF THE EXPLODED VIEWS



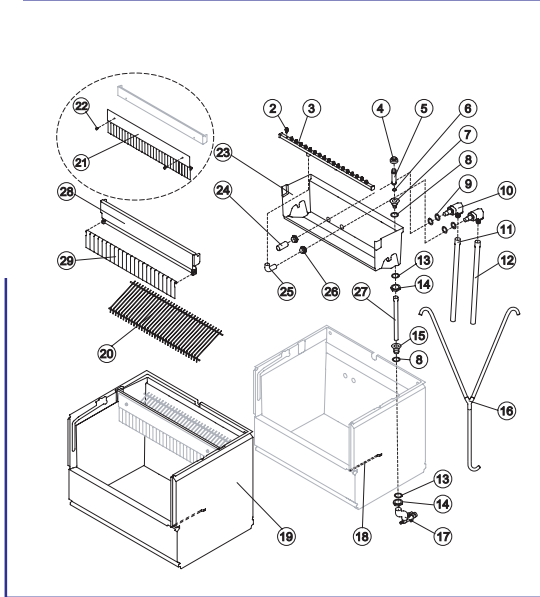
SHELL ASSY



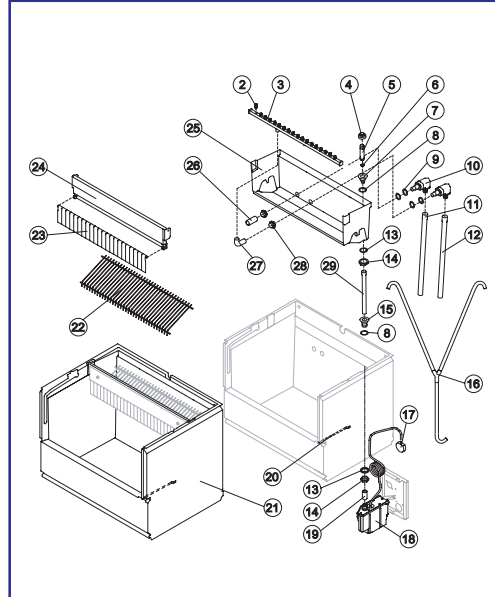
COOLING SYSTEM



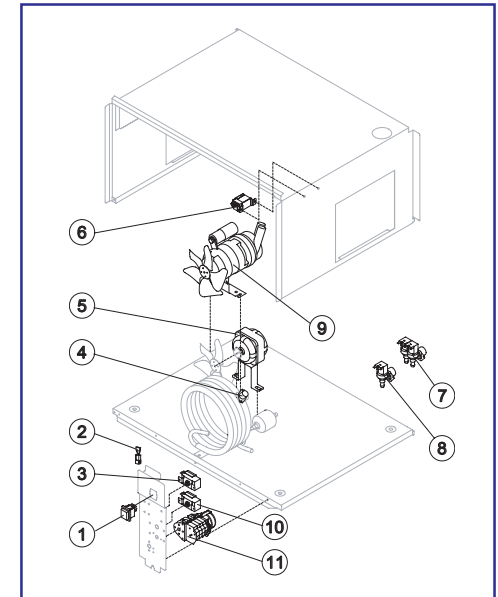
HYDRAULIC CIRCUIT SL140A/W



HYDRAULIC CIRCUIT SL140A DP



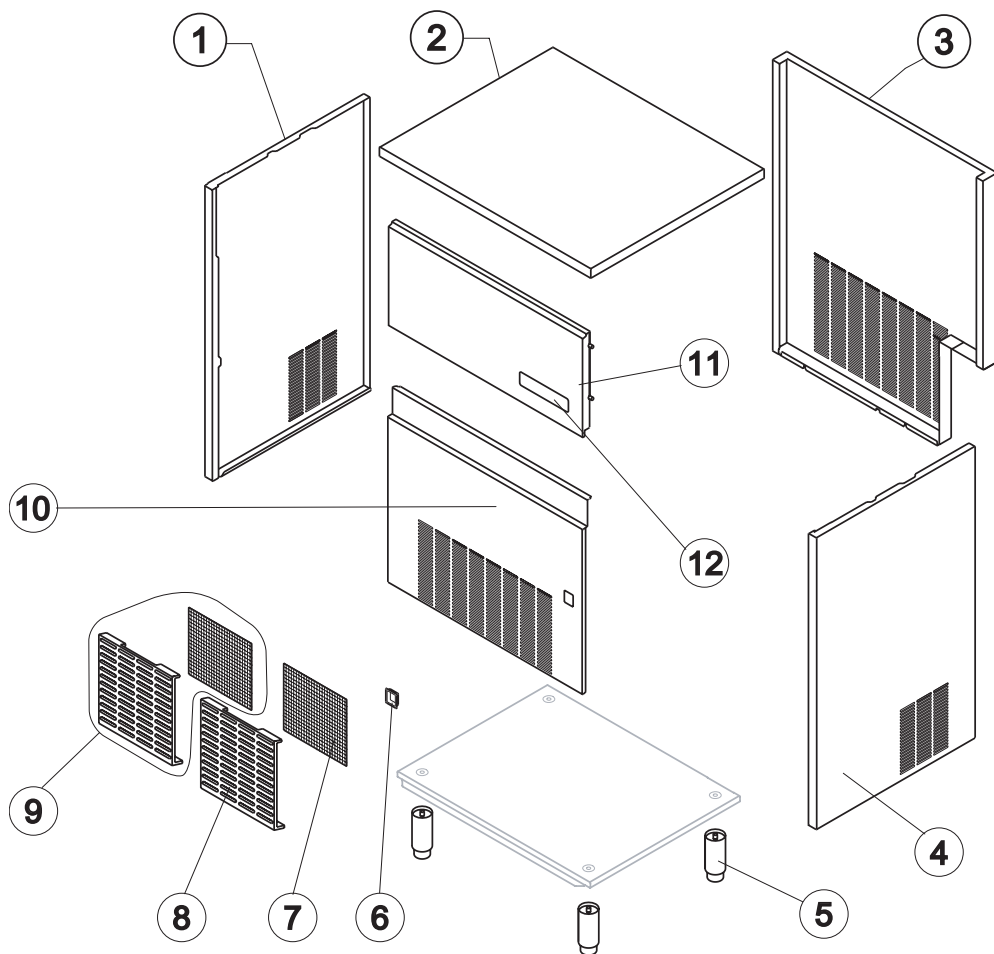
ELECTRIC PARTS



SHELL ASSY

SL 140A / SL 140W / SL 140A DP

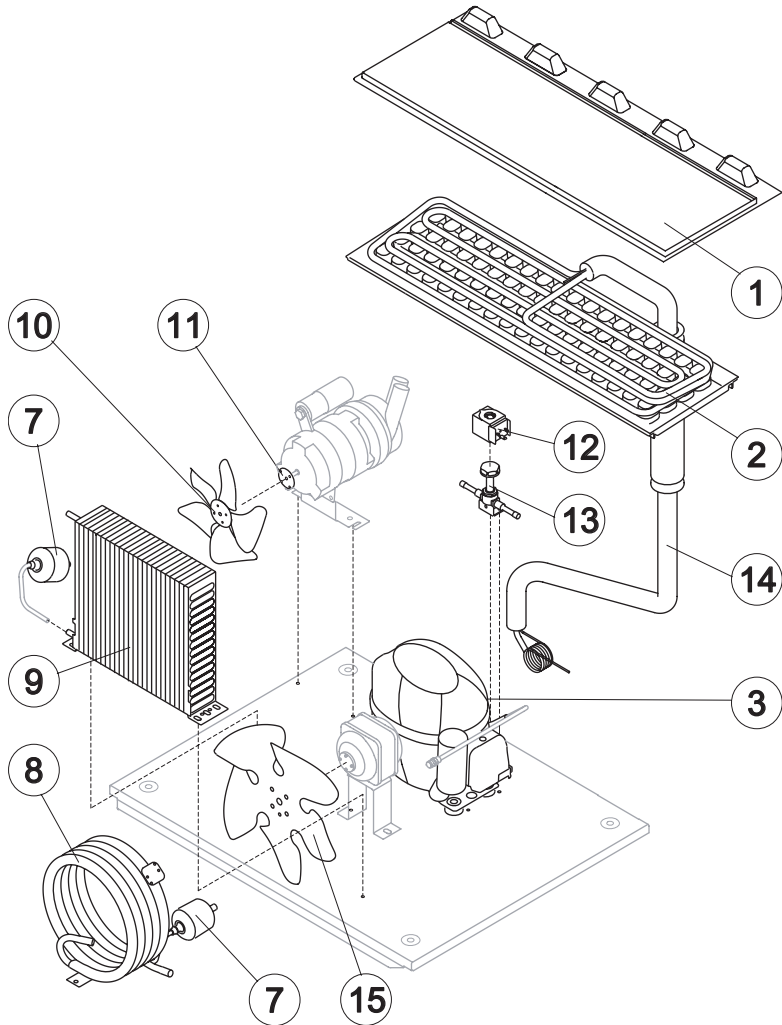
Rev. 3 - 12/03/2019



Ref.	Spare Description	Code
1	Left Side Panel	221421
2	Top Assembly	C221427
3	Grey Rear Side Panel	C21406
4	Right Side Panel	221422
5	Adjustable Foot	20613
6	On-Off switch Frame	10696
7	Filter	18243
8	Grid	10697
9	Grid Assembly	C10697
10	Front Panel	C221452
11	Door Assembly	C10362
12	Resinated Logo	241330

COOLING SYSTEM

SL 140A / SL 140W / SL 140A DP



Common Parts

Ref.	Spare Description	Code
1	Evaporator Cover Panel	10514
2	Evaporator Assy	See Table
3	Compressor	See Table
7*	Solid Core Drier	14089
10	Sucking Fan	10213
11	Fan Fixing Hub	10014
12*	Hot Gas Valve Coil	231294
13*	Hot Gas Valve Body	20410
14	Suction Line	for the spare parts code give us the s/n.

Parts for Air-Cooled Version Only

Ref.	Spare Description	Code
9	Air Condenser	20558
15	Sucking Fan	20031

Parts for Water-Cooled Version Only

Ref.	Spare Description	Code
8	Water Condenser	14374

Ref. 2 - Evaporator

Kind of Cube	Code
17 g. (Standard)	D10047
32 g.	D10090
14 g.	D10418
41 g.	D10480

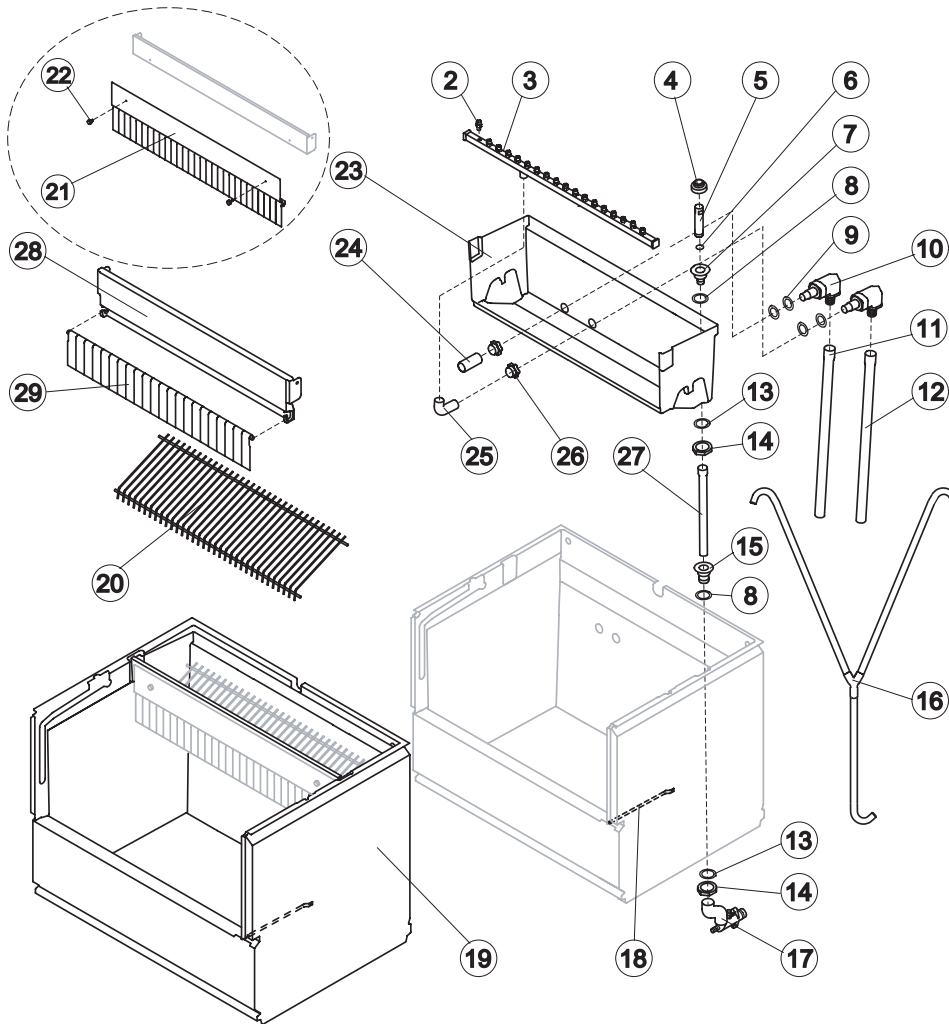
Ref. 3 - Compressor

Voltage	Code
220/240V 50 Hz	231202
220/230V 60 Hz	231308

HYDRAULIC CIRCUIT

SL 140A / SL 140W

Rev. 3 - 12/03/2019



Common Parts

Ref.	Spare Description	Code
2	Sprayer	D20002
3*	Sprayers Bar Assembly	Vedi Tabella
4*	Overflow Cap	10305
5*	Overflow Pipe	10133
6*	OR Gasket for Overflow Pipe	20233
7	Overflow Pipe Nipple	10471
8	Silicone Gasket	13219
9	Gasket for Pump Suction/Delivery Pipes	13220
10	Insulated Pump Suction/Delivery Fitting	C10653
11	Insulated Pump Suction Pipe	C13175500
12	Insulated Pump Delivery Pipe	C13175500
13	Semirigid Polyethylene Gasket	13007
14	Bin Discharge Nut	10096
15	Water Outlet Nipple	10472
16*	Water Supply Pipe to the Evaporator	C13125
18	Bulbe-holder Pipe	20521
19	Complete Basin Assembly	C11176
20*	Ice Cubes Slide	Vedi Tabella
21*	Flags Support Assy	Till s/n. 817798 K10775
22	Special Screw Inox	Till s/n. 817798 20009
23	Inner Basin	10034
24	Pump Suction Filter	20005
25	Sprayers Feeding Pipe	13005
26	Fittings Locking Ring	10654
27*	Overflow Pipe	13109
28	Flags ABS Support	Current Version 10760
29	Rod with Flags	Current Version 10775

Ref. 3* - Sprayers Bar Assembly

Kind of Cube	Code
17 g. (Standard)	C20058
32 g.	C20156
14 g.	C20190
41 g.	C20802

Ref. 20* - Ice Cubes Slide

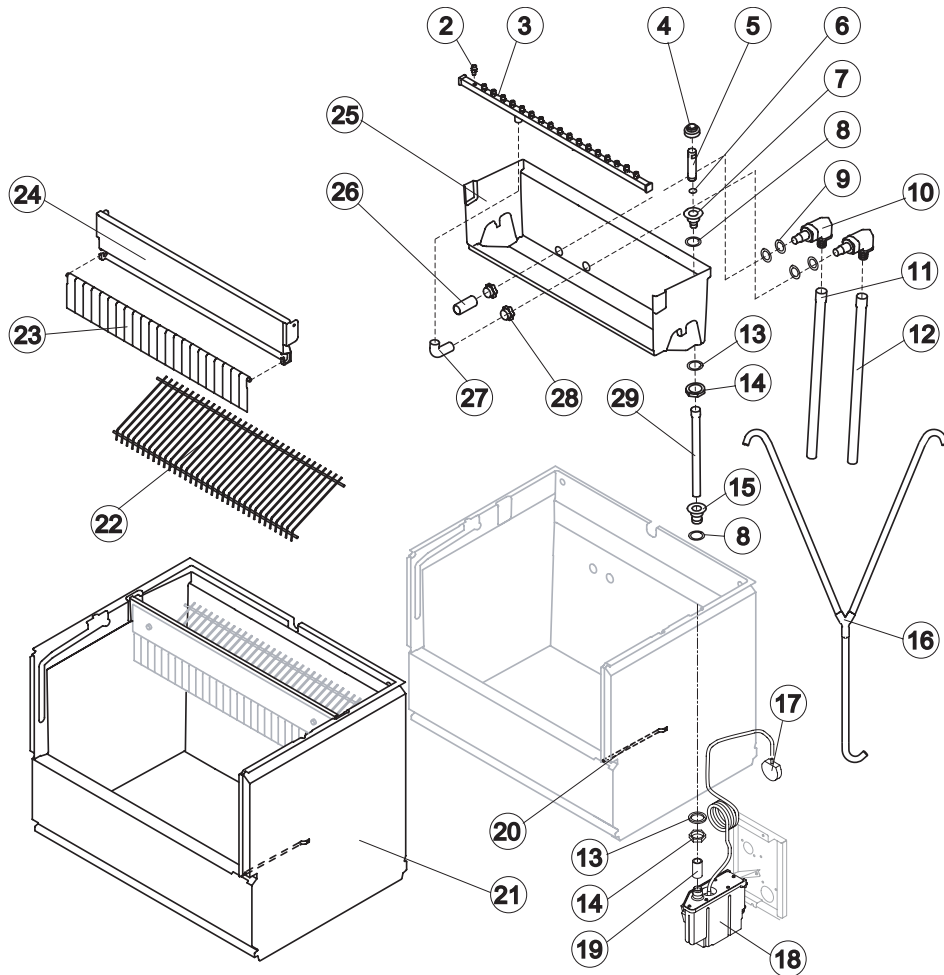
Kind of Cube	Code
17 g. (Standard)	D12017
32 g.	D12031
14 g.	D12039
41 g.	D12071

Parts for Air-Cooled Version Only

Ref.	Spare Description	Code
17	Discharges Manifold	C10006

Parts for Water-Cooled Version Only

Ref.	Spare Description	Code
17	Discharges Manifold	C26452



HYDRAULIC CIRCUIT

SL 140A DP

Common Parts

Ref.	Spare Description	Code
2	Sprayer	D20002
3*	Sprayers Bar Assembly	Vedi Tabella
4*	Overflow Cap	10305
5*	Overflow Pipe	10133
6*	OR Gasket for Overflow Pipe	20233
7	Overflow Pipe Nipple	10471
8	Silicone Gasket	13219
9	Gasket for Pump Suction/Delivery Pipes	13220
10	Insulated Pump Suction/Delivery Fitting	C10653
11	Insulated Pump Suction Pipe	C13175500
12	Insulated Pump Delivery Pipe	C13175500
13	Semirigid Polyethylene Gasket	13007
14	Bin Discharge Nut	10096
15	Water Outlet Nipple	10472
16*	Water Supply Pipe to the Evaporator	C13125
17	Drain Pump Pressure Switch	C231230
18	Drain Pump	RC231225
19	Bin Discharge-Drain Pump Connection	C13175190
20	Bulbe-holder Pipe	20521
21	Complete Basin Assembly	C11176
22*	Ice Cubes Slide	Vedi Tabella
23	Rod with Flags	10775
24	Flags ABS Support	10760
25	Inner Basin	10034
26	Pump Suction Filter	20005
27	Sprayers Feeding Pipe	13005
28	Fittings Locking Ring	10654
29*	Overflow Pipe	13109

Ref. 3* - Sprayers Bar Assembly

Kind of Cube	Code
17 g. (Standard)	C20058
14 g.	C20190

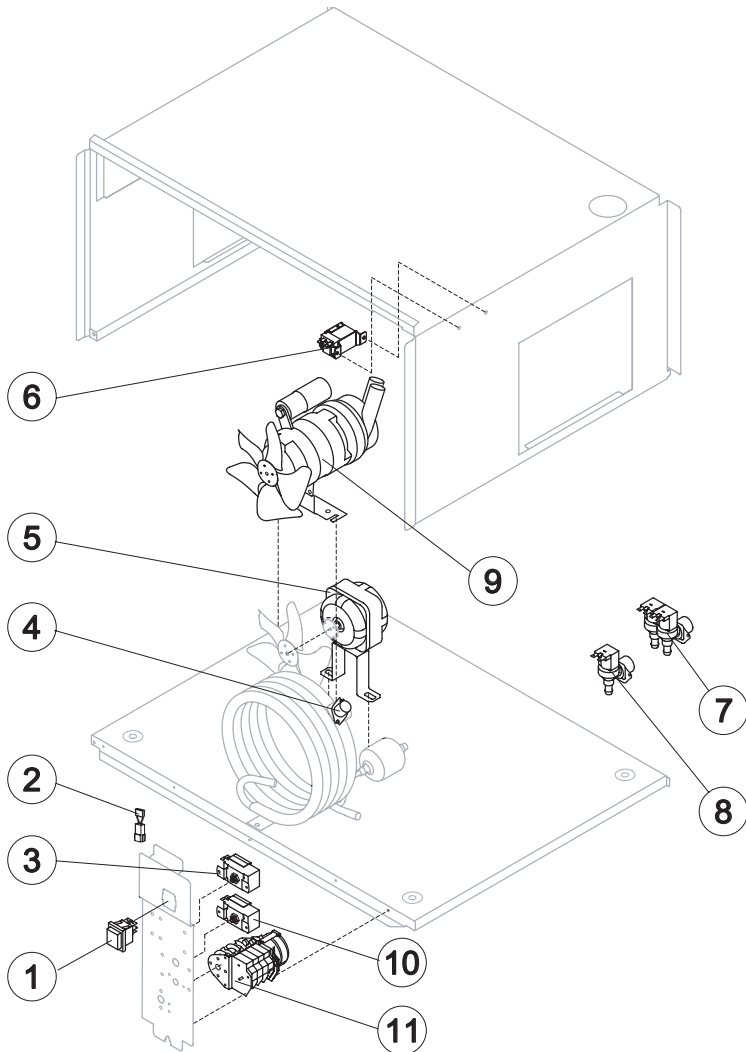
Ref. 22* - Ice Cubes Slide

Kind of Cube	Code
17 g. (Standard)	D12017
14 g.	D12039

ELECTRIC PARTS

SL 140A / SL 140W / SL 140A DP

Rev. 3 - 12/03/2019



Common Parts

Ref.	Spare Description	Code
1*	Green Light Switch (On-Off)	23327
2	Anti Radio Interference Filter	Only 220V 50 Hz C23458
3*	Bin Thermostat	R23005
6*	Condenser Pressure Switch	23175
9*	Pump Assembly	See Table
10*	Evaporator Thermostat	R23591
11*	Timer	See Table

Parts for Air-Cooled Version Only

Ref.	Spare Description	Code
5*	Fan Motor	See Table
8*	1 Way- Water Inlet Valve	See Table

Parts for Water-Cooled Version Only

Ref.	Spare Description	Code
4*	Safety Thermostat	C23114
7*	2 Ways- Water Inlet Valve	See Table

Ref. 5* - Fan Motor

Tensione	Codice
220/240V 50Hz	23067
220/230V 60Hz	23681

Rif. 7* - 2 Ways - Water Inlet Valve

Tensione	Cub. 17g/14g	Cub. 32g	Cub. 41g
220/240V 50 Hz	23010	23010	23781
220/230V 60 Hz	23010	23781	23781

Ref. 9* - Pump Assembly

Tensione	Codice
220/240V 50Hz	RC23462
220/230V 60Hz	RC23377

Ref. 8* - 1 Way- Water Inlet Valve

Tensione	Cub. 17g/14g	Cub. 32g	Cub. 41g
220/240V 50 Hz	23001	23001	23220
220/230V 60 Hz	23001	23220	23220

Ref. 11* - Timer

Tensione	Cub. 17g	Cub. 32g	Cub. 14g	Cub.41g
220/240V 50 Hz	23222	23248	23247	23780
220/230V 60 Hz	231078	231080	231077	231080