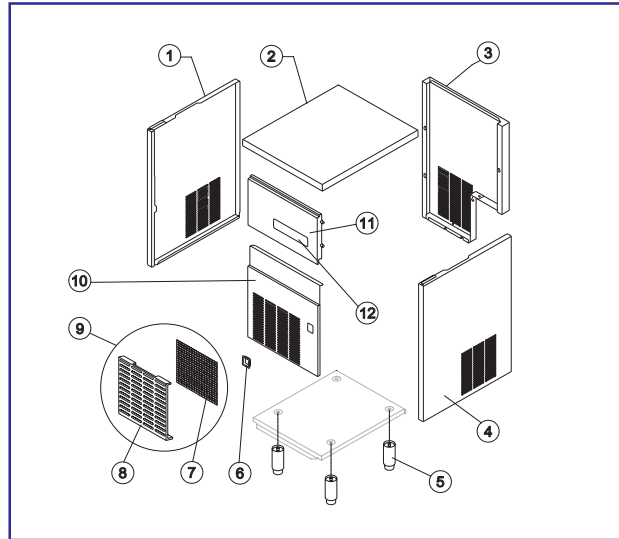
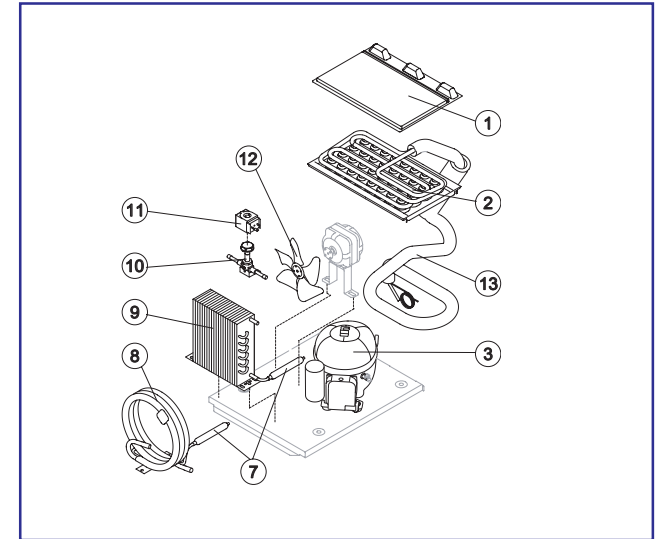


LIST OF THE EXPLODED VIEWS

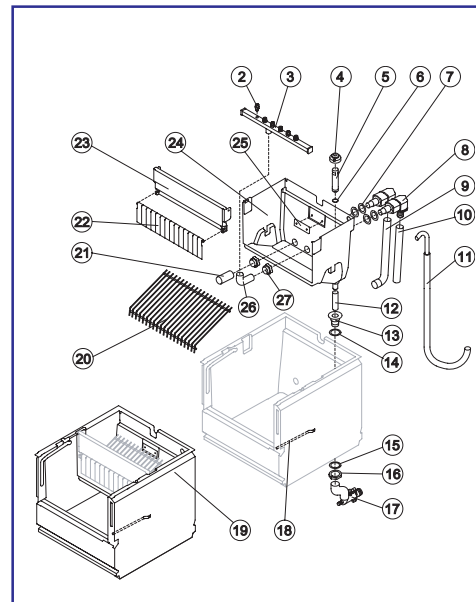
SHELL ASSY



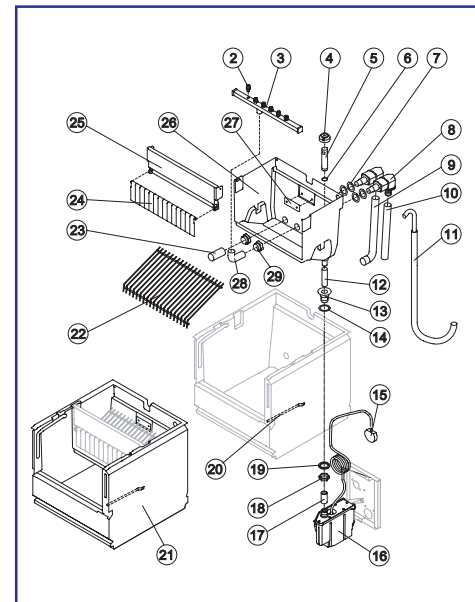
COOLING SYSTEM



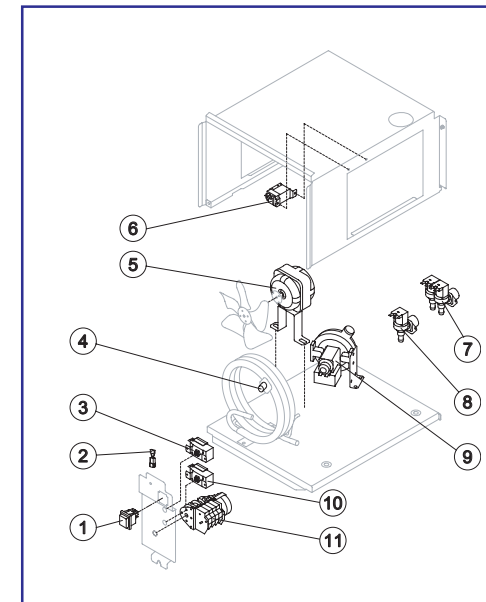
HYDRAULIC CIRCUIT SL90A/W



HYDRAULIC CIRCUIT SL90A DP



ELECTRIC PARTS

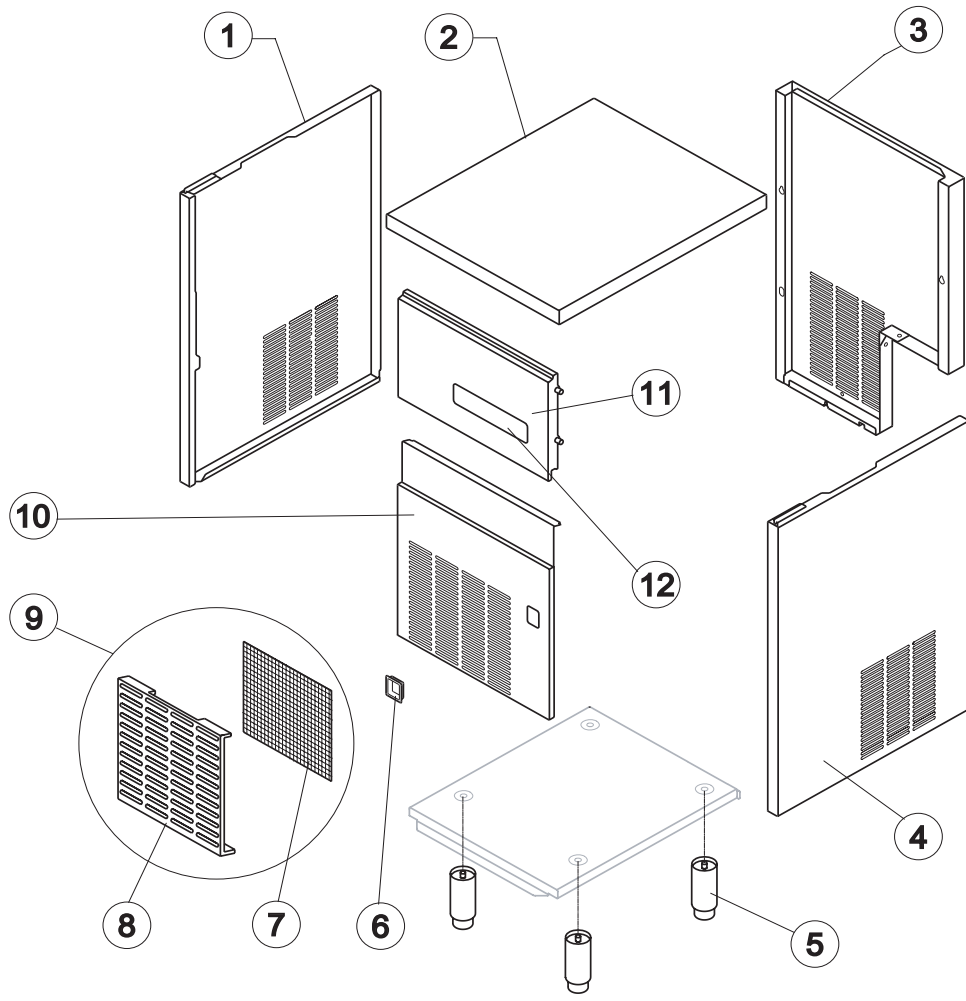


Rev. 3 - 12/03/2019



SHELL ASSY

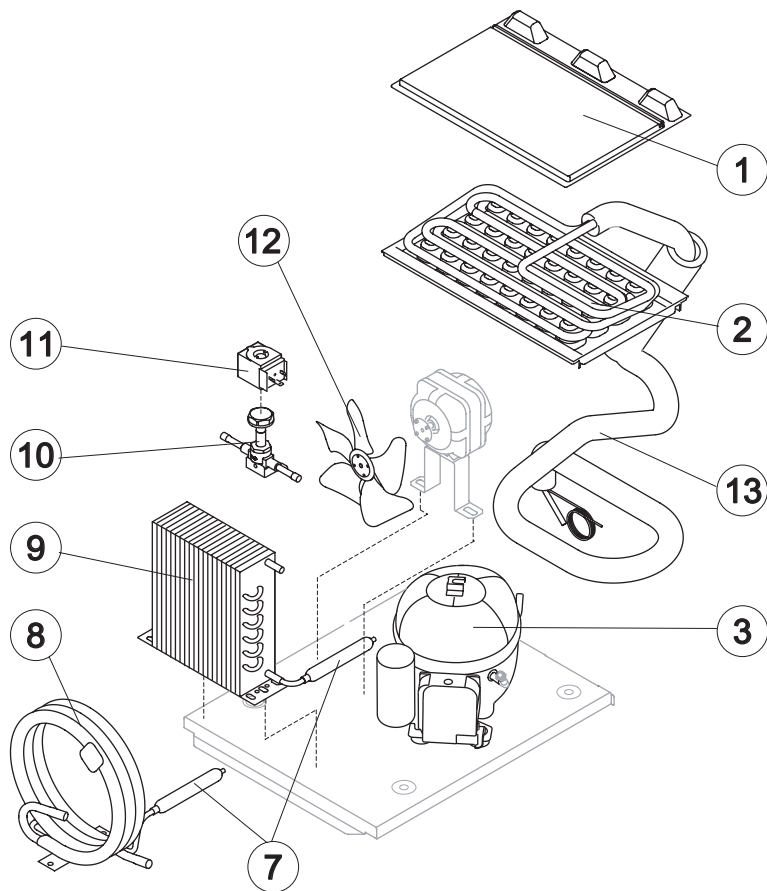
SL 90A / SL 90W / SL 90A DP



Ref.	Spare Description	Code
1	Left Side Panel	221417
2	Top Assembly	C221428
3	Grey Rear Side Panel	C21411
4	Right Side Panel	221418
5	Foot	20613
6	On-Off switch Frame	10696
7	Filter	18243
8	Grid	10697
9	Grid Assembly	C10697
10	Front Panel	C221450
11	Door Assembly	C10360
12	Resinated Logo	241330

COOLING SYSTEM

SL 90A / SL 90W / SL 90A DP



Common Parts

Ref.	Spare Description	Code
1	Evaporator Cover Panel	10513
2	Evaporator Assy	See Table
3	Compressore	See Table
7*	Molecular Drier	14009
10*	Hot Gas Valve Body	20410
11*	Hot Gas Valve Coil	231294
13	Suction Line	for the spare parts code give us the s/n.

Parts for Air-Cooled Version Only

Ref.	Spare Description	Code
9	Air Condenser	20019
12	Suction Fan	20096

Parts for Water-Cooled Version Only

Ref.	Spare Description	Code
8	Water Condenser	14014
12	Suction Fan	10213

Ref. 2 - Evaporator

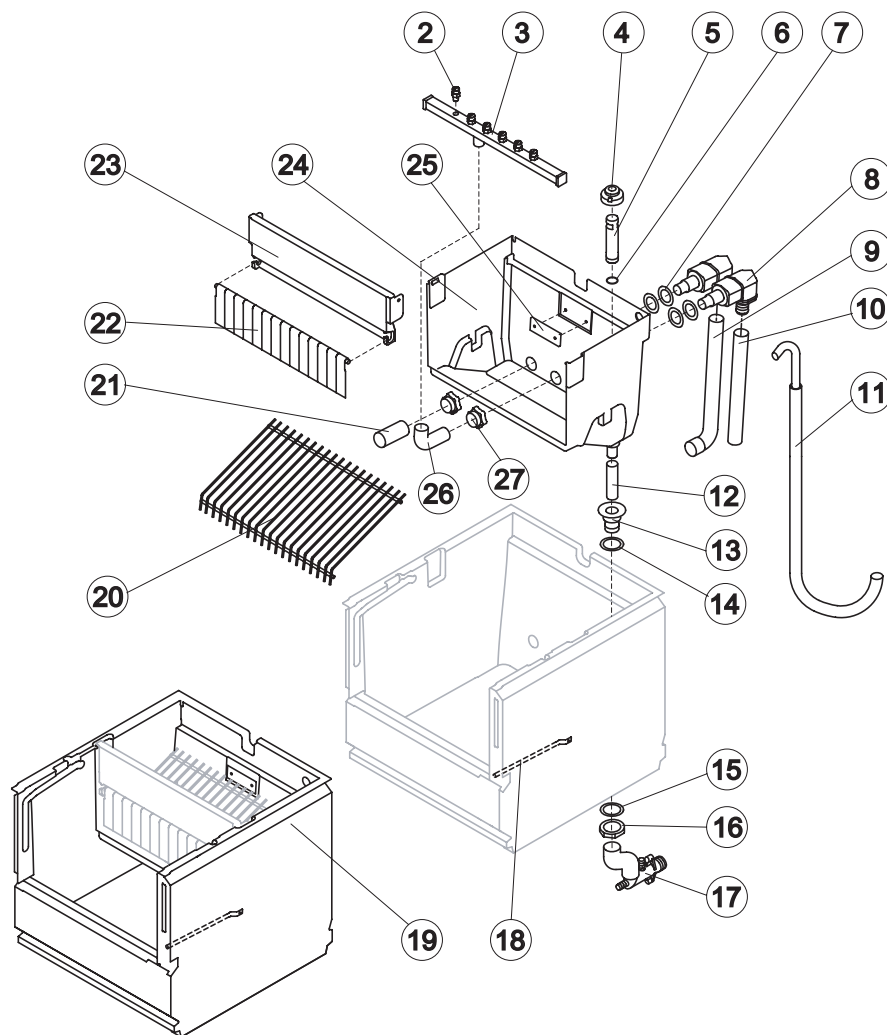
Kind of Cube	Code
17 g. (Standard)	D10046
32 g.	D10089
14 g.	D10417
41 g.	D10465

Ref. 3 - Compressor

Voltage	Code
220/240V 50 Hz	231202
220/230V 60 Hz	23495A

HYDRAULIC CIRCUIT

SL 90A / SL 90W



Common Parts

Ref.	Spare Description	Code
2	Sprayer	D20002
3*	Sprayers Bar Assembly	See Table
4*	Overflow Cap	10305
5*	Overflow Pipe	10133
6*	OR Gasket for Overflow Pipe	20233
7	Gasket for Pump Suction/Delivery Pipes	13220
8	Insulated Pump Suction/Delivery Fitting	C10653
9	Insulated Pump Suction Pipe	C13173
10	Insulated Pump Delivery Pipe	C13175430
11*	Water Supply Pipe to the Evaporator	C13185
12*	Overflow Pipe	13108
13	Water Outlet Nipple	10472
14	Silicone Gasket	13219
15	Semirigid Polyethylene Gasket	13007
16	Bin Discharge Nut	10096
18	Bulbe-holder Pipe	20522
19	Complete Basin Assembly	C11187
20*	Ice Cubes Slide	See Table
21*	Pump Suction Filter	20005
22	Rod with Flags	10534
23	Flags ABS Support	10526
24	Inner Basin	10253
25	Slide Keep Plate	10009
26	Sprayers Feeding Pipe	13005
27	Fittings Locking Ring	10654

Ref. 20* - Ice Cubes Slide

Kind of Cube	Code
17 g. (Standard)	D12008
32 g.	D12030
14 g.	D12038
41 g.	D12030

Ref. 3* - Sprayers Bar Assembly

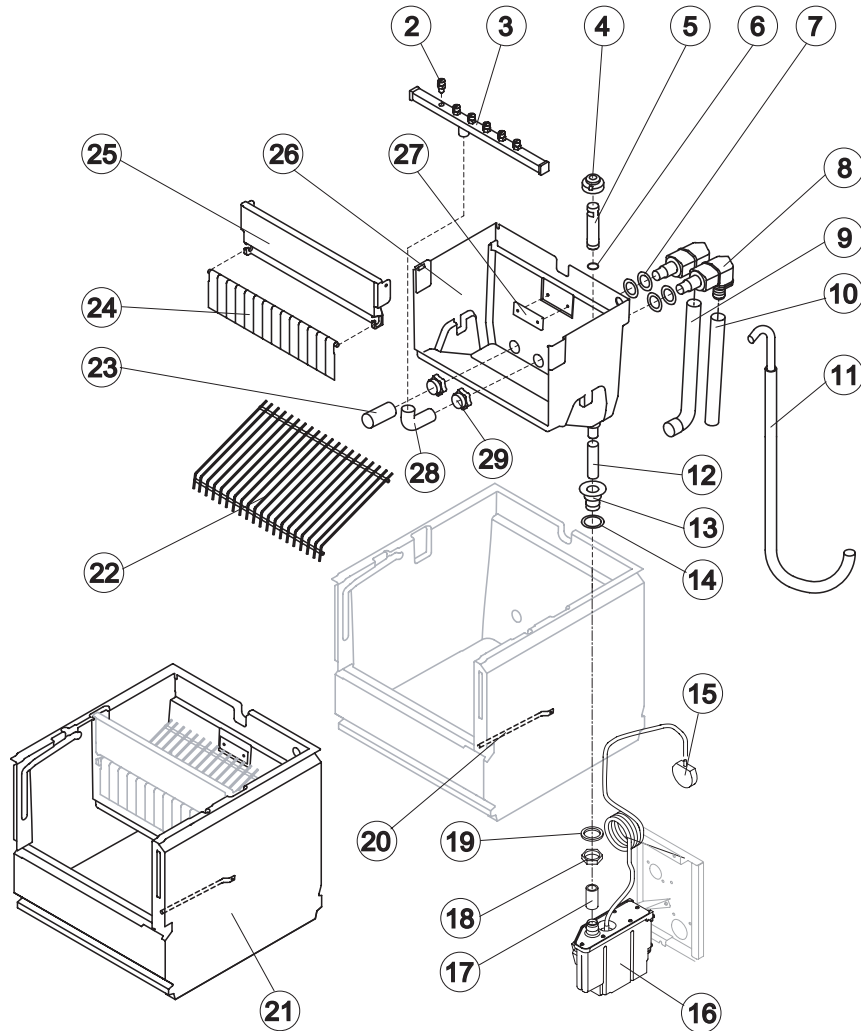
Kind of Cube	Code
17 g. (Standard)	C201070
32 g.	C201090
14 g.	C201072
41 g.	C201090

Parts for Air-Cooled Version Only

Ref.	Spare Description	Code
17	Discharges Manifold	C10006

Parts for Water-Cooled Version Only

Ref.	Spare Description	Code
17	Discharges Manifold	C26452



HYDRAULIC CIRCUIT

SL 90A DP

Ref.	Spare Description	Code
2	Sprayer	D20002
3*	Sprayers Bar Assembly	See Table
4*	Overflow Cap	10305
5*	Overflow Pipe	10133
6*	OR Gasket for Overflow Pipe	20233
7	Gasket for Pump Suction/Delivery Pipes	13220
8	Insulated Pump Suction/Delivery Fitting	C10653
9	Insulated Pump Suction Pipe	C13173
10	Insulated Pump Delivery Pipe	C13175430
11*	Water Supply Pipe to the Evaporator	C13185
12*	Overflow Pipe	13108
13	Water Outlet Nipple	10472
14	Silicone Gasket	13219
15	Drain Pump Pressure Switch	C231230
16	Drain Pump	RC231225
17	Bin Discharge-Drain Pump Connection	C13175100
18	Bin Discharge Nut	10096
19	Semirigid Polyethylene Gasket	13007
20	Bulbe-holder Pipe	20522
21	Complete Basin Assembly	C11187
22*	Ice Cubes Slide	See Table
23*	Pump Suction Filter	20005
24	Rod with Flags	10534
25	Flags ABS Support	10526
26	Inner Basin	10253
27	Slide Keep Plate	10009
28	Sprayers Feeding Pipe	13005
29	Fittings Locking Ring	10654

Ref. 3* - Sprayers Bar Assembly

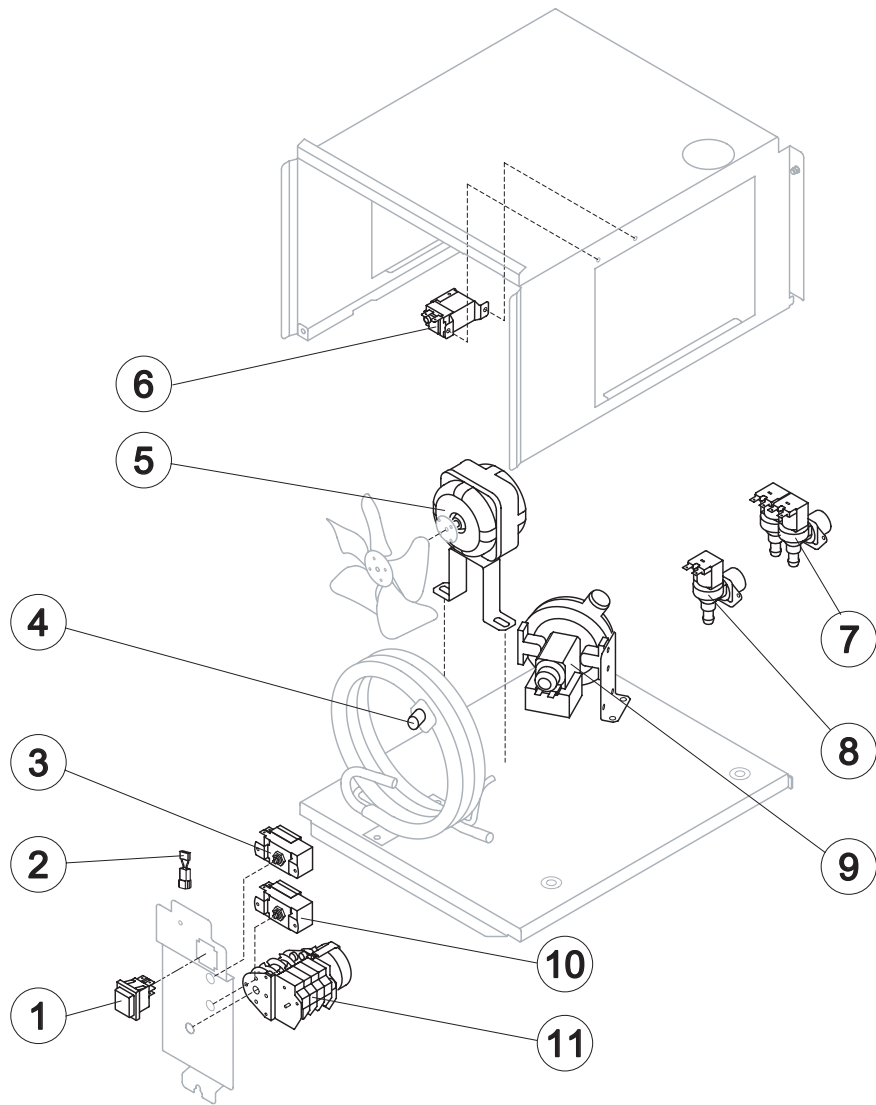
Kind of Cube	Code
17 g. (Standard)	C201070
14 g.	C201072

Ref. 20* - Ice Cubes Slide

Kind of Cube	Code
17 g. (Standard)	D12008
14 g.	D12038

ELECTRIC PARTS

SL 90A / SL 90W / SL 90A DP



Common Parts

Ref.	Spare Description	Code
1*	Green Light Switch (On-Off)	23327
2	Anti Radio Interference Filter	Only 220V 50 Hz C23458
3*	Bin Thermostat	R23005
6*	Condenser Pressure Switch	23175
9*	Pump Assembly	See Table
10*	Evaporator Thermostat	R23591
11*	Timer	See Table

Parts for Air-Cooled Version Only

Ref.	Spare Description	Code
5*	Fan Motor	23067
8*	1 Way- Water Inlet Valve	23001

Parts for Water-Cooled Version Only

Ref.	Spare Description	Code
4*	Safety Thermostat	C23114
5*	Fan Motor	23029
7*	2 Ways- Water Inlet Valve	23010

Ref. 9* - Pump Assembly

Voltage	Code
220/240V 50Hz	C231016
220/230V 60Hz	C231046

Ref. 11* - Timer

Voltage	Cube 17g	Cube 32g	Cube 14g
220/240V 50 Hz	23222	23248	23247
220/230V 60 Hz	231078	231080	231077